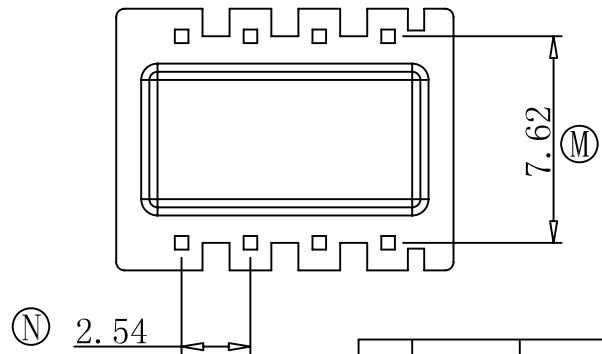
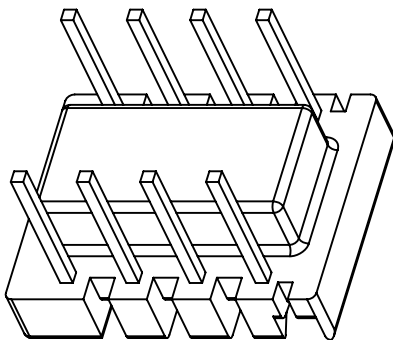
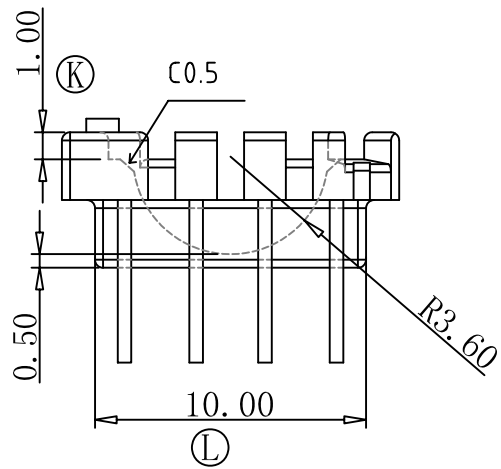
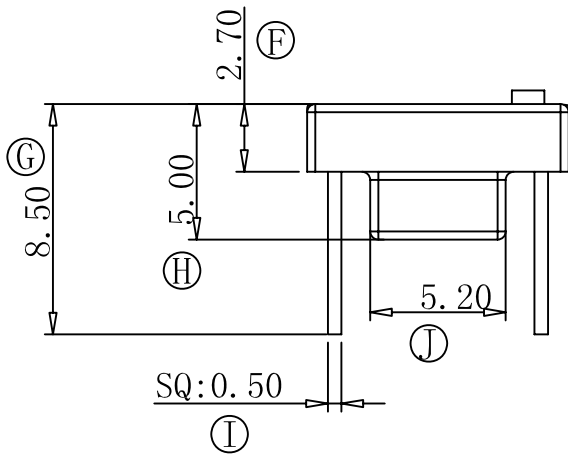
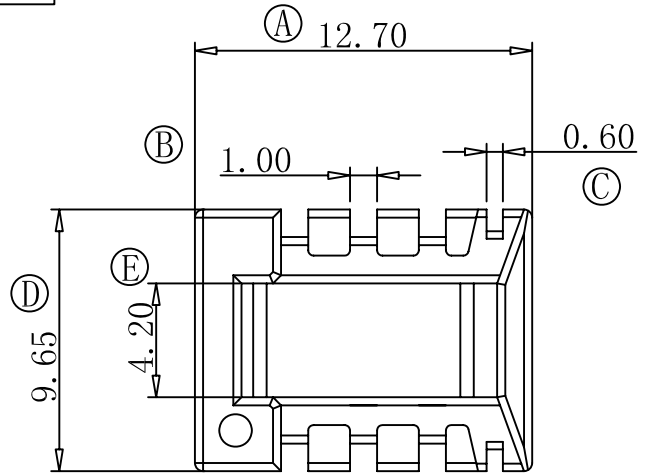
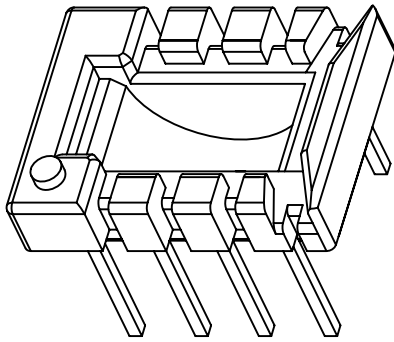


型号

BASE-006

私模



REV	DATE	REVISIONS REC
1	2013-5-11	A尺寸由12.44改为12.70

深圳市捷达成电子有限公司

SHENZHEN JIE DA CHENG ELECTRONICS CO.,LTD.

TEL:0755-27317730 FAX:0755-27317731

ANGLE:  
+/-1°

MODEL NAME:  
BASE-006 4+4PIN

UNIT:  
MM

UL REC:  
UL 94V-0

BOBBIN MATERIAL:  
PHENOLIC

DRAFTER L.R.J

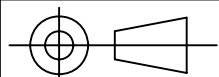
TOLERANCE  
0<L<4 ±0.1  
4<L<16 ±0.2  
16<L<50 ±0.3  
PIN PITCH ±0.2

SCALE:  
4/1

PIN TENSION LOAD:  
0.6KG MIN

PIN MATERIAL:  
CP WIRE

CHECKER Y.F.



DATE:  
2013-5-11

DRAWING NO:  
BASE-006

REV:  
1.0