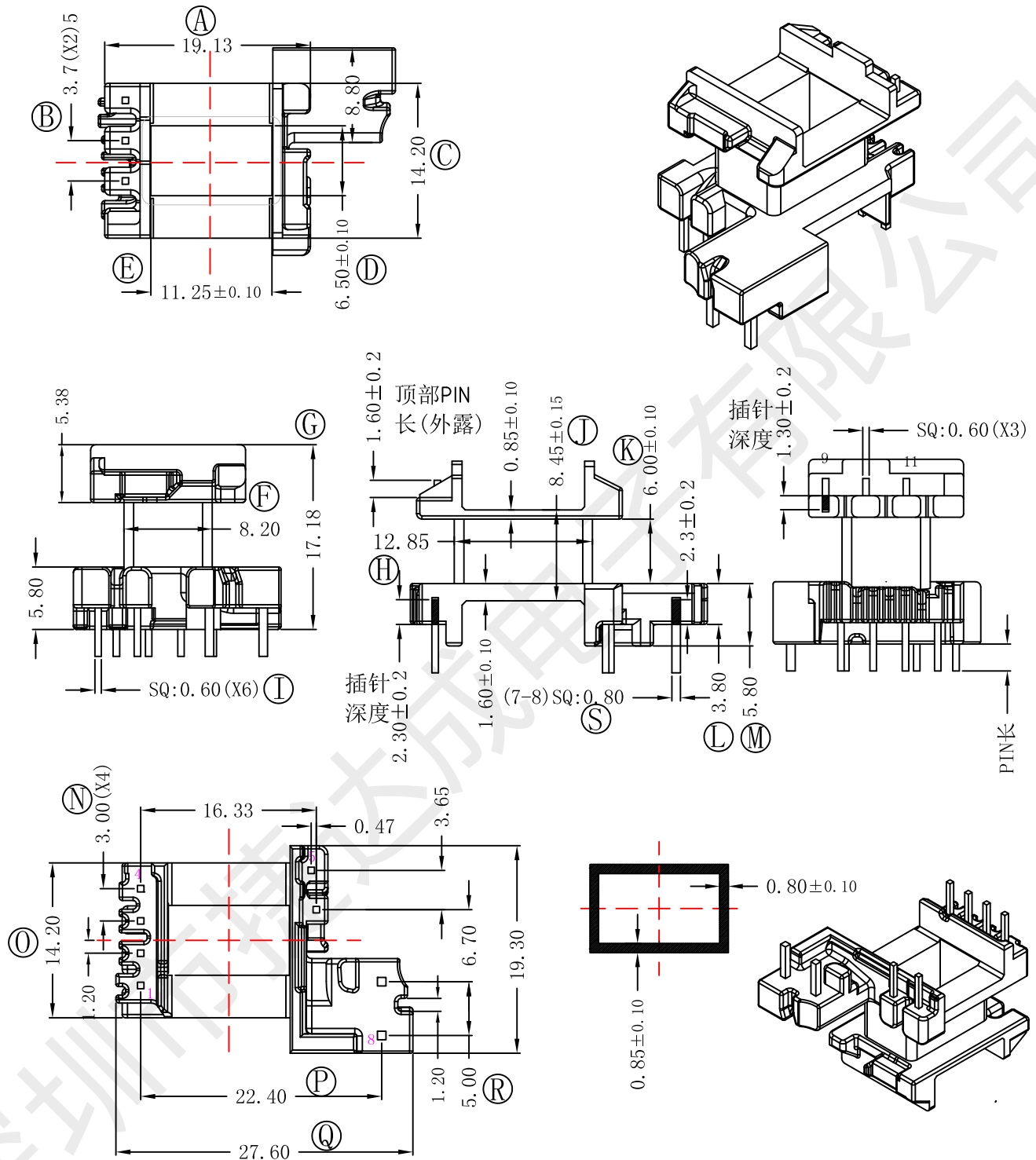


型号

EE-1944-1



备注:

- 1: 拉力要求: 焊前3.5KG/MIN, 焊后4.5KG/MIN.
- 2: 强度要求: 任意点2.0KG/MIN
- 3: 耐压要求: 4.5kv/0.5mA/60S

REV	DATE	REVISIONS REC

深圳市捷达成电子有限公司

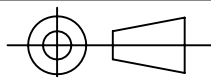
SHANZHEN JIEDACHENG ELECTRONICS CO.,LTD.

TEL:0755-27317730 FAX:0755-27317731

ANGLE:
+/-1°

UNIT:
MM

SCALE:
4/1



MODEL NAME:

EE-1944-1 4+4+3PIN

UL REC:

UL 94V-0

PIN TENSION LOAD:

3.5KG MIN

DATE:

2023-11-17

BOBBIN MATERIAL:

PM-9823

PIN MATERIAL:

CP WIRE

DRAWING NO:

EE-19

REV:

1.0

DRAFTER

L.R.J

TOLERANCE

0<L<4 ±0.1

4<L<16 ±0.2

16<L<50 ±0.3

PIN PITCH ±0.2

CHECKER

Y.F.