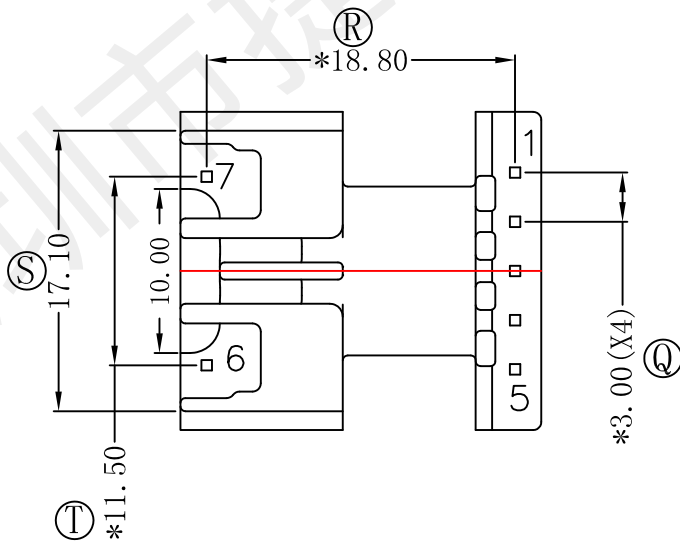
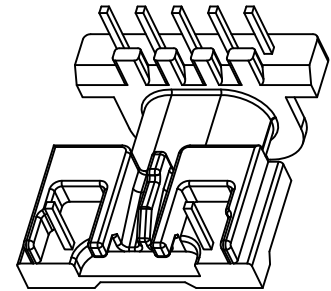
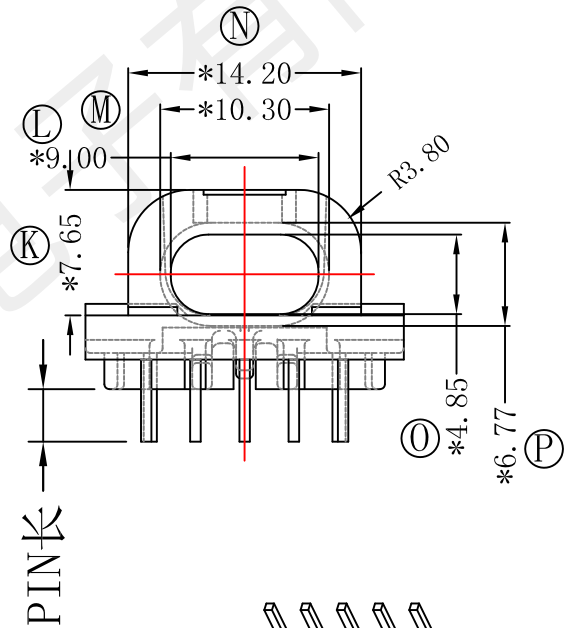
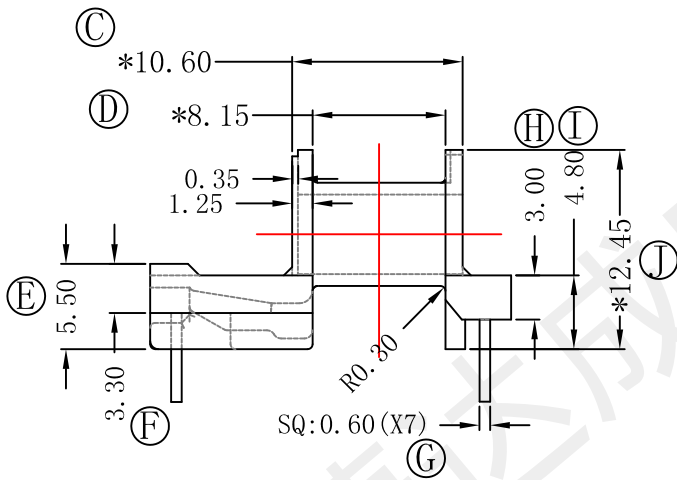
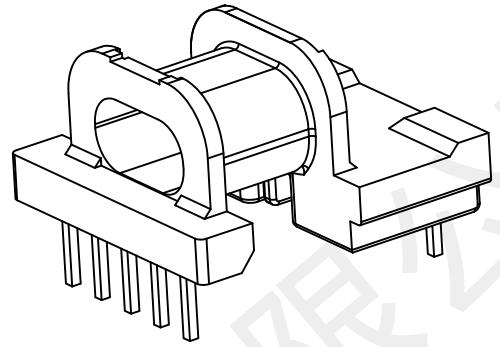
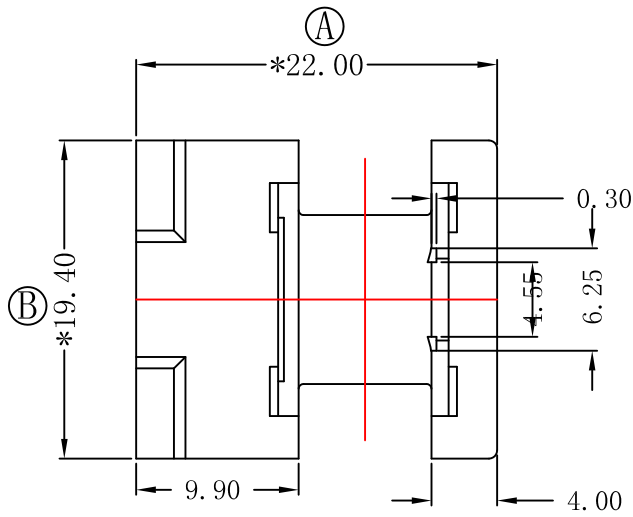


型号

EPC-1937



REV	DATE	REVISIONS	REC

深圳市捷达成电子有限公司

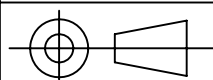
SHANZHEN JIEDACHENG ELECTRONICS CO.,LTD.

TEL:0755-27317730 FAX:0755-27317731

ANGLE:
+/-1°

UNIT:
MM

SCALE:
4/1



MODEL NAME:
EPC-1937 5+2PIN

UL REC:
UL 94V-0

PIN TENSION LOAD:
2.0KG MIN

DATE:
2020-8-20

BOBBIN MATERIAL:
PM-9630

PIN MATERIAL:
CP WIRE

DRAWING NO:
EPC-1937

REV:
1.0

DRAFTER L.R.J

CHECKER Y.F.

TOLERANCE
0<L<4 ±0.1
4<L<16 ±0.2
16<L<50 ±0.3
PIN PITCH ±0.2